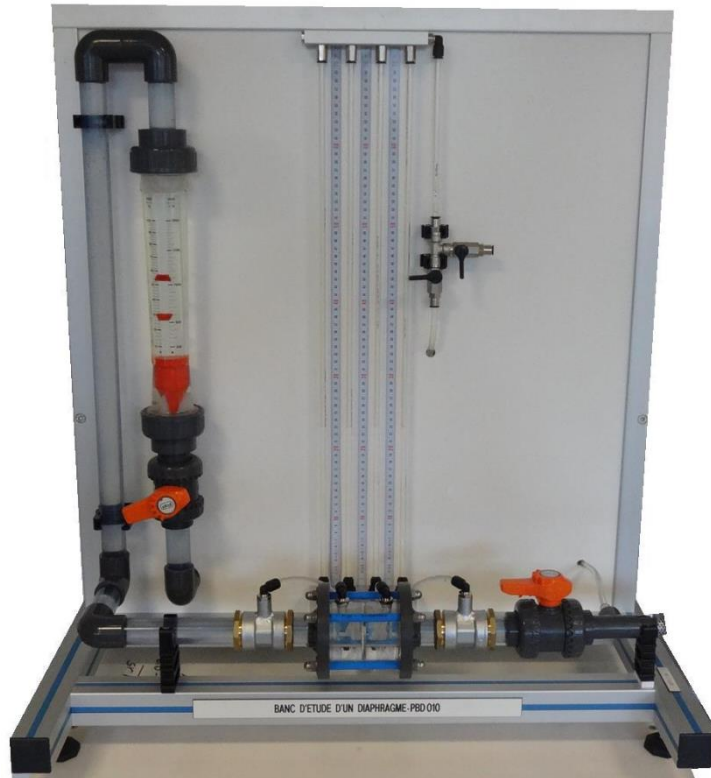


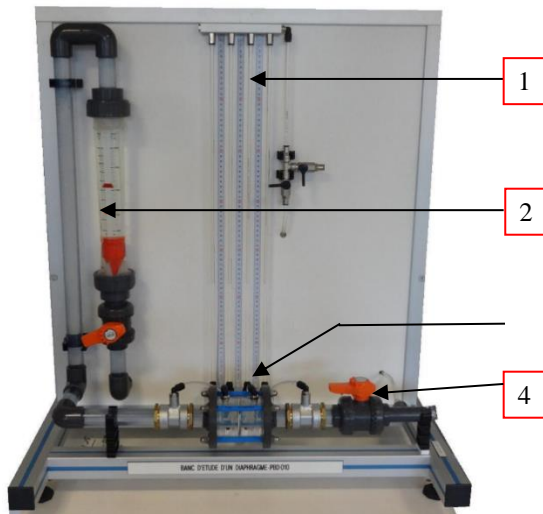
TEST UNIT OF AN ORIFICE FLOWMETER



Experimental capabilities

- Plotting of the curves of pressure losses according to the flow rate
- Flow rate measurement by an orifice flowmeter
- Determination of a characteristic of an orifice flowmeter

PBD010

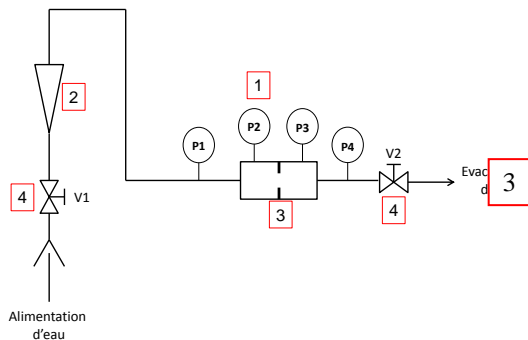


Technical characteristics:

1. Manometer water column with transparent supply plastic tubes. Air purge valve and air vent on the side
2. Float flowmeter 0-2000L / h
3. Transparent orifice flowmeter DN25 with pressure fitting taps upstream and downstream of the disc. Stainless steel disc
4. Flow rate control valves (inlet) and of the setting of the back pressure (output)

Accessories included:

- Hoses for connection at the supply and at water evacuation



Services required

- Water supply : 25 L/min – 2 bars
- Dimensions: (LxWxH mm): 800 x 505 x 905
- weight (Kg): 20

Note : if the equipment installation is operated by our staff, all supplies and exhaust connections required must stand at less than 2m from the machine

Documentation

- User's manual
- Technical documentation of the components
- Lab exercises
- Certificate of conformity CE

Options

- Water supply unit

- Ref :UTL050

DIDATEC– Zone d'activité du parc – 42490 FRAISSES- FRANCE
Tél. +33(0)4.77.10.10.10 – Fax+33(0)4.77.61.56.49 – www.didatec-technologie.com
email : service_commercial@didatec-technologie.com

Reproduction interdite / copy prohibited– Copyright DIDATEC avr.-16- page 2

Dans le cadre de l'amélioration permanente de nos produits, ce descriptif technique est susceptible d'être modifié sans préavis
As part of the continuous improvement of our products, this technical specification may be modified without previous notifying

Illustrations non contractuelles / Illustrations not contractual

version : FT-PBD010-STD-B